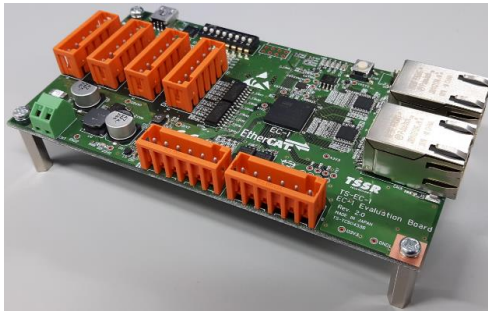


TS-EC-1 Evaluation Kit (EtherCAT-ready)

This kit is an evaluation platform for software and system development of Renesas Electronics' industrial Ethernet communication LSI (EC-1) supporting EtherCAT.



Features

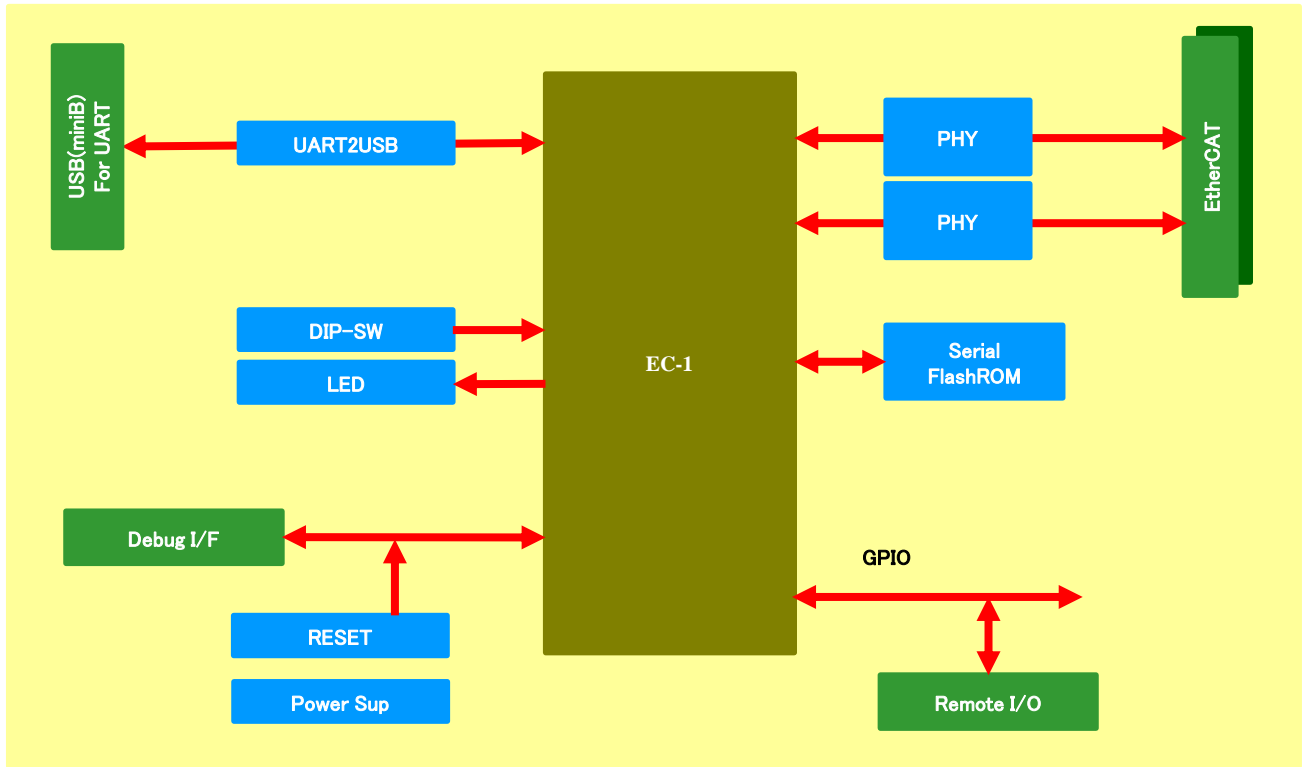
- The protocol to support is EtherCAT.
- Evaluation of various interfaces is possible.
(CAN, RS-485, UART(USB), Digital Input/Output.)

Specifications

List item	Spec
Product Name	TS-EC-1
On-Board LSI	Renesas Electronics System LSI R-IN32M3-EC Note 1 - ARM Cortex™-R4F, 32-bit RISC CPU - FPU - Operating frequency: 150MHz - 10Base-T/100Base-TX/1000Base-T EtherMAC
Embedded memory	Flash memory (Serial): 128M bits
Interface	UART(USB), CAN, RS-485, Digital Inputs(8channels)/Outputs(8channels), RJ45(EtherCAT)
Debug interface	20-pin half-pitch connector (trace supported)
Supported emulators	IAR Systems:I-jet
Power supply	Power supply terminal block DC +24.0 V ±5%,
Operating ambient temperature	0 to +50°C
Dimensions	W130.6mm × D71mm x H35mm

Note 1. For more details on the EC-1 LSI, refer to the related documents available from Renesas Electronics.

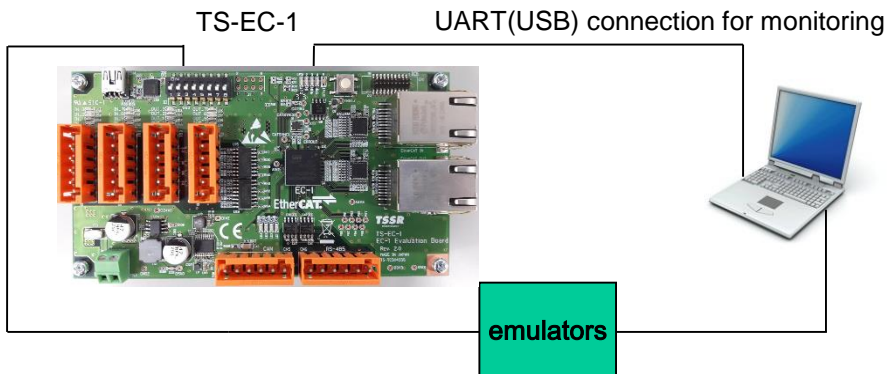
Board Configuration



Development Environment

To start developing your application software, first download sample software from the Renesas website and run the code with the emulator and PC.

Manufacture	Compiler	Debugger	emulators
IAR Systems	EWARM	EWARM	I-jet



○When developing application software with this kit, please confer with your local Renesas contact.

- ◎ All product and service names introduced in this document are trademarks and/or registered trademarks of their respective companies.
- ◎ The products and services described in this document are subject to change and/or discontinuation without notice.